

### Low Voltage Raceway Fittings and Junction Boxes

#### Ceiling Drops

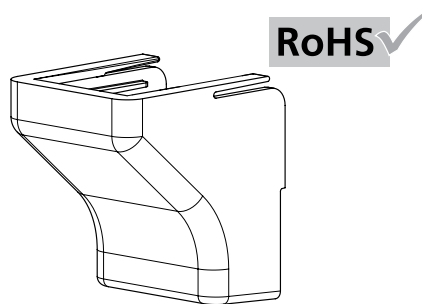
HellermannTyton surface raceway systems are the ideal solution for routing communication and power cables. No need to break into existing walls - raceway systems are designed to route cable along wall surfaces. Made of a PVC material, components are durable and affordable; and the one-piece construction and adhesive tape backing make positioning and mounting easy. HellermannTyton offers a low voltage TSR system and a power rated TSRP system that are available in three different diameters to accommodate different cable and wire bundle and conduit sizes. Both systems include a complete line of fittings and junction boxes that allow for clean and professional installations. TSR surface raceway systems can be used to route a variety of communication cable, including high speed UTP and fiber optic cable.

#### Features and Benefits

- Tamper resistant covers with hidden latch provide security while allowing quick entry for cable maintenance.
- PVC construction is lightweight, durable and more affordable than metallic raceway systems.
- Flexible hinge is designed to reduce stress cracking and discoloration from repeated opening and closing.
- Systems and fittings are available in white, office white and ivory to coordinate with a variety of décor.
- Fittings incorporate a minimum 1" bend radius to meet TIA/EIA 568-B and 569-A standards.



<b>MATERIAL</b>	Polyvinylchloride (PVC)
<b>Flammability</b>	UL 94 V0
<b>Operating Temperature</b>	+122°F (+50°C)



PART NO.	TYPE	Description	Color	Pkg. Qty.
TSR1I-50	TSR1-50	Ceiling Drop, 3/4"	Ivory	1
TSR1FW-50		Ceiling Drop, 3/4"	Office White	1
TSR1W-50		Ceiling Drop, 3/4"	White	1
TSR2I-50	TSR2-50	Ceiling Drop, 1-1/4"	Ivory	1
TSR2FW-50		Ceiling Drop, 1-1/4"	Office White	1
TSR2W-50		Ceiling Drop, 1-1/4"	White	1
TSR3I-50	TSR3-50	Ceiling Drop, 1-3/4"	Ivory	1
TSR3FW-50		Ceiling Drop, 1-3/4"	Office White	1
TSR3W-50		Ceiling Drop, 1-3/4"	White	1

Dimensions are approximate and subject to technical changes. Use Part No. for ordering and Type for specification purposes.